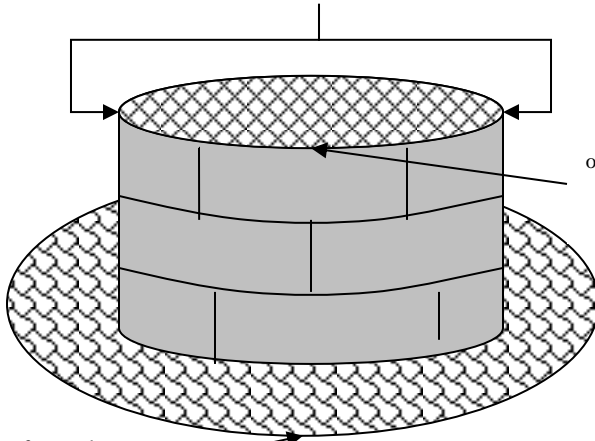


Opening does not exceed 1 meter  
(3' 3 3/8")

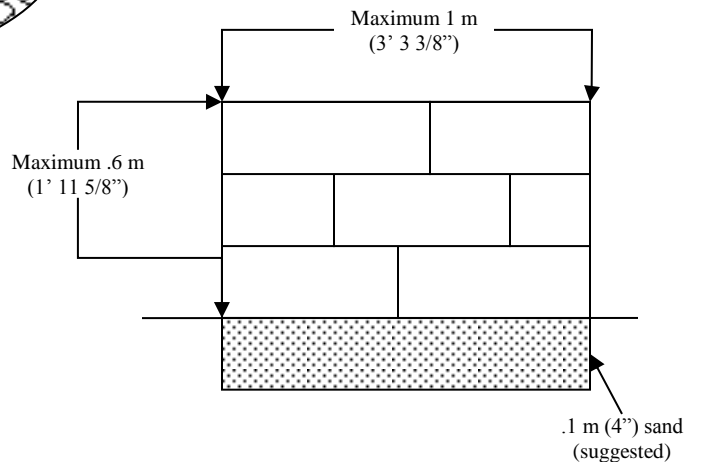


Suggested layer of poured concrete, bricks, sand, gravel or rocks around outside of pit

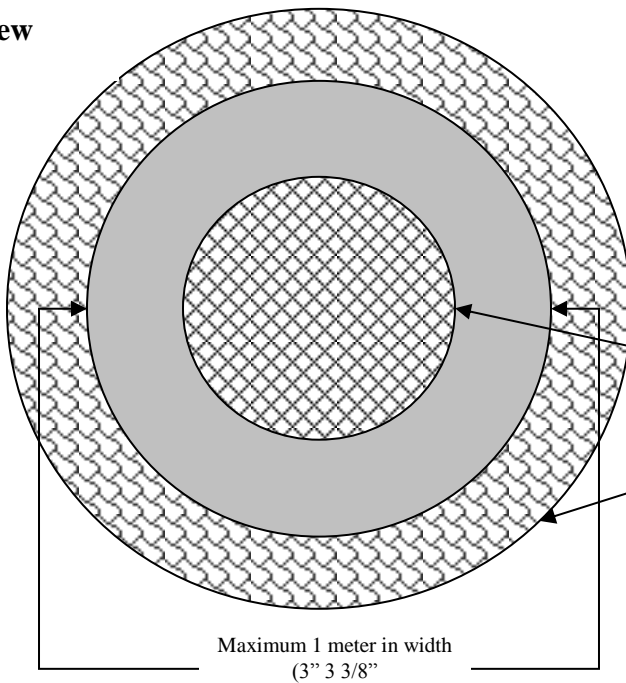
**3 metres to any structures, property lines or combustible materials**

Spark Arrestor Screen with opening no larger than 1.25 cm (1/2")  
Height not to exceed 0.6 m (1' 11 5/8")

**Side View**



**Top View**



**Minimum 3 meters to any structures or property lines (9' 10")**

Spark Arrestor Screen with openings no larger than 1.25 cm (1/2")

Suggested area of poured concrete, bricks, sand, gravel or stones

Maximum 1 meter in width  
(3' 3 3/8")

.1 m (4") sand (suggested)



**TOWN OF MORINVILLE  
PROVINCE OF ALBERTA**

**FIRE SERVICES  
BYLAW BYLAW**

**14/2015**

**Page 15**

**SCHEDULE 'B'**

**Fire Pit Guidelines**

**CONDITIONS FOR BURNING IN A RESIDENTIAL, RECREATIONAL FIREPIT  
(INCLUDING PORTABLE FIRE PITS)**

Fire Pits shall be carried out in compliance with the following conditions:

1. The surface area or cooking area of the fire pit is less than 1 metre (3 feet)
2. The fire pit must have enclosed sides and not be higher than 60 centimeters (2 feet) above the ground.
3. The fire pit is to be constructed of bricks, concrete blocks, heavy gauge metal, or other suitable non-combustible components, as approved by the Town of Morinville.
4. The fire pit must have a spark arrestor mesh screen, with openings not bigger than 1.25 cm (½ inch) and made of expanding metal or equivalent.
5. The fire shall be located in an area free of dry grass, brush, or combustible soil, and adequate clearances to any combustible material shall be maintained.
6. The fire pit is at least 3 metres (10 feet) from all buildings, property lines and combustible materials and is not located over any underground utilities or under any above ground wires or foliage.
7. Only burn clean fuel (clean, dry wood).
8. Not used to burn refuse or waste matter.
9. Does not emit sparks onto neighboring property.
10. Flame height cannot be higher than 90 centimeters (3 feet).
11. Wind conditions shall be less than 25 km/hr.
12. The fire is to be supervised at all times by a responsible person, until such time that it has been extinguished. A fire shall be deemed to include hot ashes and smoldering embers resulting from the fire.
13. A fire extinguisher or garden hose must be present for extinguishing any spot fires that may occur. If you choose a garden hose, then it must be connected to a working faucet.
14. This permit shall be presented to a member of the Morinville Fire Department or Peace Officer when requested to do so.